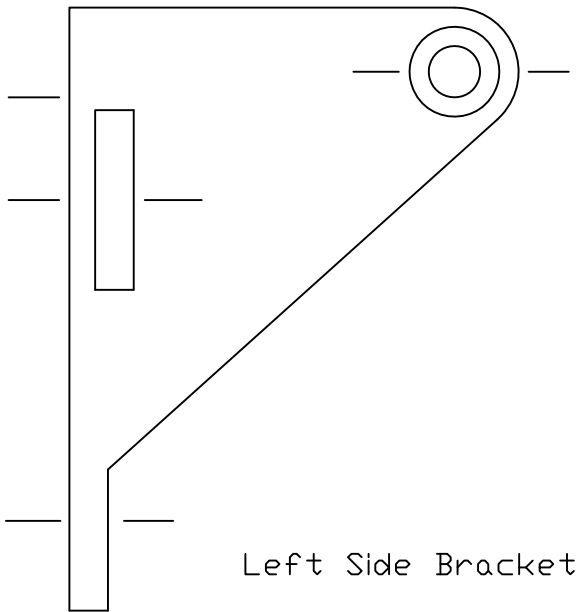
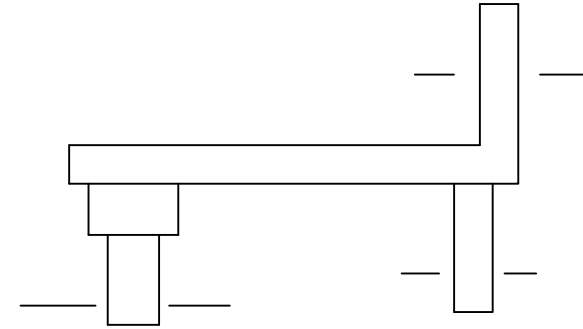
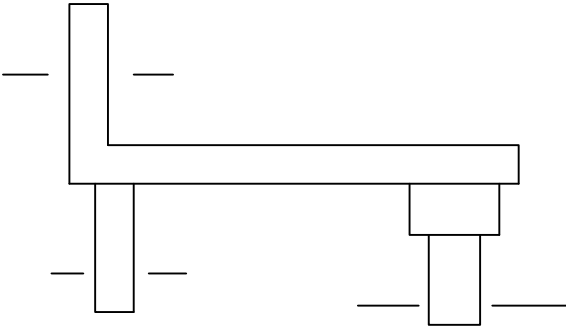


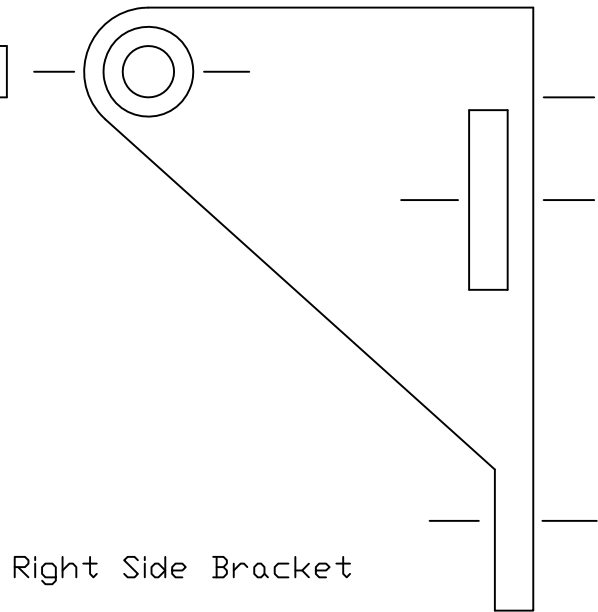
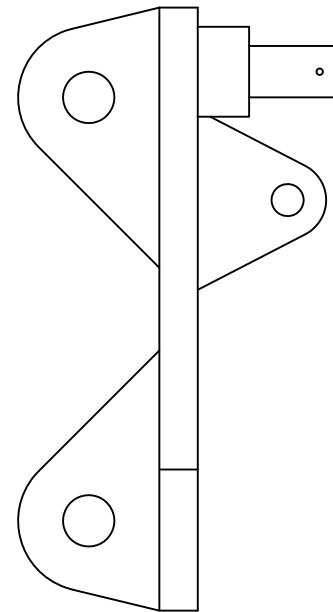
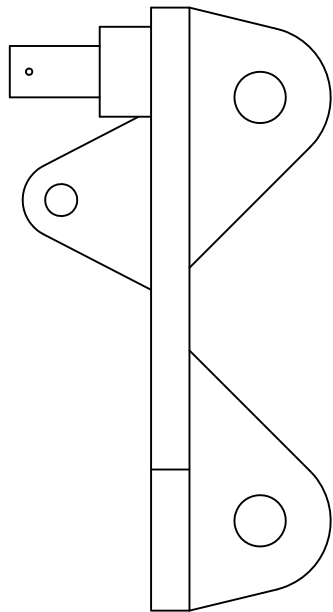
Trip-bar Brackets for 10-14 Dearborn 'Toggle' 2-Way Plow

(Bolt on in place of sway-chain anchors)
Cut from 5 X 3 X 3/8" angle
Fit 9N/2N/8N & Clones

Notes: Hidden lines deleted
Scale computer dwg. for dimensions
File Name: dearbornplowbracket.dwg



Left Side Bracket



Right Side Bracket