

DEARBORN SPRING SHANK *Cultivators*

MODELS 13-2, 13-2A and 13-4

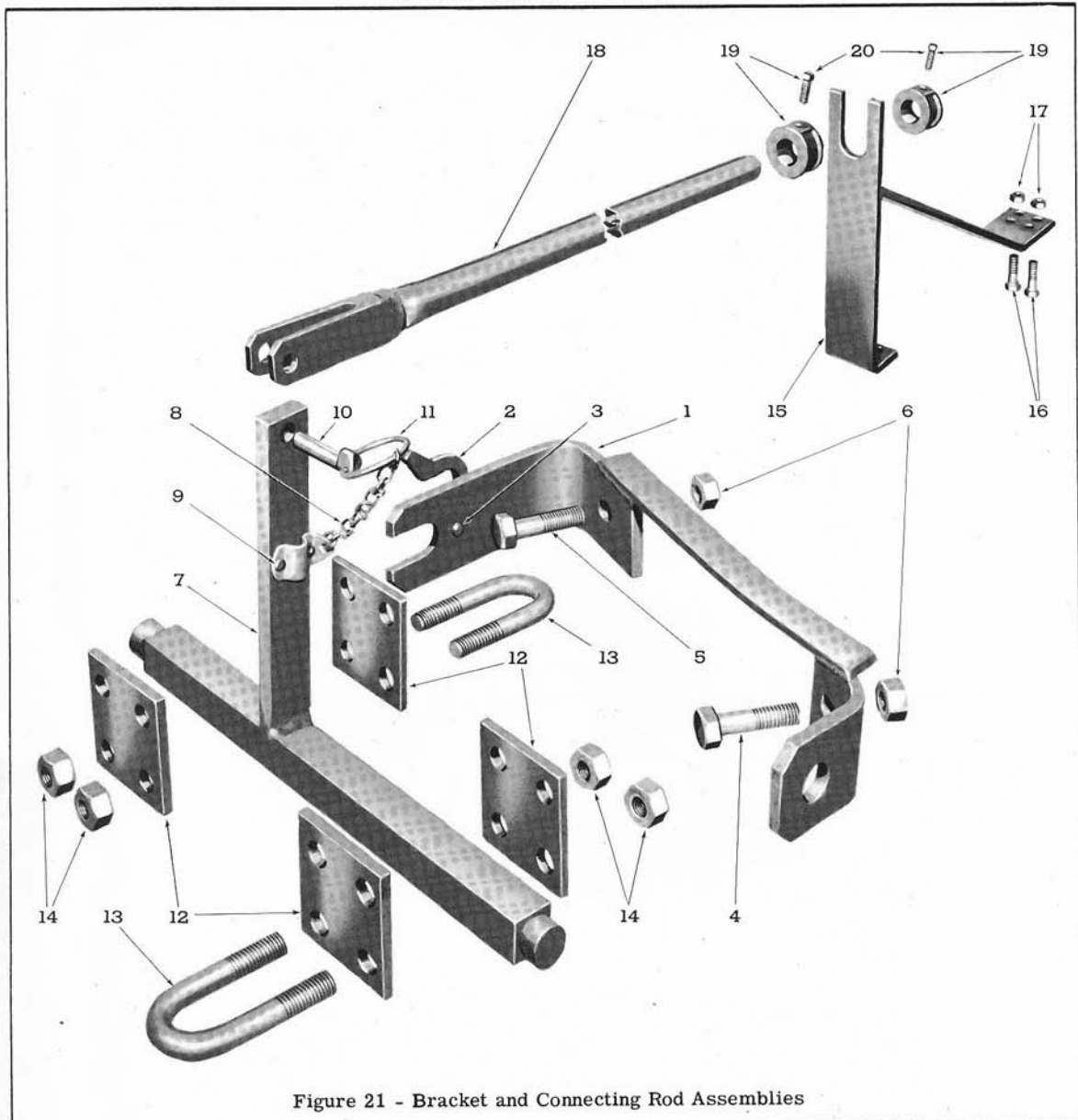


Figure 21 - Bracket and Connecting Rod Assemblies

FIG. 21	PART NO.	NAME AND DESCRIPTION	QTY. REQ.
		Group 3-5—BRACKET AND CONNECTING ROD ASSEMBLIES (Model 13-4)	
1	131064	BRACKET, Front, Right (Welded Assembly) Consists of Strap and Brackets which are not serviced separately plus items listed below:	1
2	131089	LATCH	1
3	60522-S	RIVET, 3/8" x 1-1/4" Rd. Hd. - Latch to Outer Bracket	1
-	131063	BRACKET, Front, Left (Welded Assembly) Consists of Strap and Brackets which are not serviced separately plus first two items listed on next page.	1

DEARBORN SPRING SHANK *Cultivators*

MODELS 13-2, 13-2A and 13-4

FIG. 21	PART NO.	NAME AND DESCRIPTION	QTY. REQ.
Group 3-5—BRACKET AND CONNECTING ROD ASSEMBLIES (Model 13-4) (Cont'd)			
-	131088	LATCH	1
-	60522-S	RIVET, 3/8" x 1-1/4" Rd. Hd. - Latch to Outer Bracket	1
4	21177-S7-8	BOLT, 5/8" - 18 x 2-1/2" Hex. Hd. } Front Bracket to Axle	2
5	21175-S7-8	BOLT, 5/8" - 18 x 2" Hex. Hd. }	2
6	33850-S7-8	NUT, 5/8" - 18 Hex. }	4
7	131066	SHAFT, Tool Bar, Right (Welded Assembly)	1
Consists of Shaft and Arm which are not serviced separately plus items listed below:			
8	9 N-583-B	CHAIN and CLIP, Linch Pin	1
9	60104-S	RIVET, 3/16" x 3/4" Flat Hd. - Clip to Arm	2
10	2 N-574	PIN, Linch	1
11	2 N-575	RING, Snap	1
--	131065	SHAFT, Tool Bar, Left (Welded Assembly)	1
Consists of Shaft and Arm which are not serviced separately plus items listed below:			
--	9 N-583-B	CHAIN and CLIP, Linch Pin	1
--	60104-S	RIVET, 3/16" x 3/4" Flat Hd. - Clip to Arm	2
--	2 N-574	PIN, Linch	1
--	2 N-575	RING, Snap	1
12	131078	PLATE	8
13	131079	U-BOLT, 5/8" - 18 } Plate and Stem to Tool Bar Shaft	8
14	33806-S7-8	NUT, 5/8" - 18 Hex. }	16
15	131075	BRACKET, Rear	2
16	20471-S7-8	BOLT, 7/16" - 20 x 1-1/2" Hex. Hd. } Bracket to Rear Cultivator Tool Bar. .	8
17	33792-S7-8	NUT, 7/16" - 20 Hex. }	
18	131077	ROD, Connecting (Welded Assembly)	2
19	131145	COLLAR ASSEMBLY, Connecting Rod	4
Consists of Collar which is not serviced separately plus Set Screw listed below:			
20	91434-S7-8	SET SCREW, 3/8" - 16 x 1" Cup Pt. Sq. Hd.	4

DEARBORN SPRING SHANK *Cultivators*

MODELS 13-2, 13-2A and 13-4

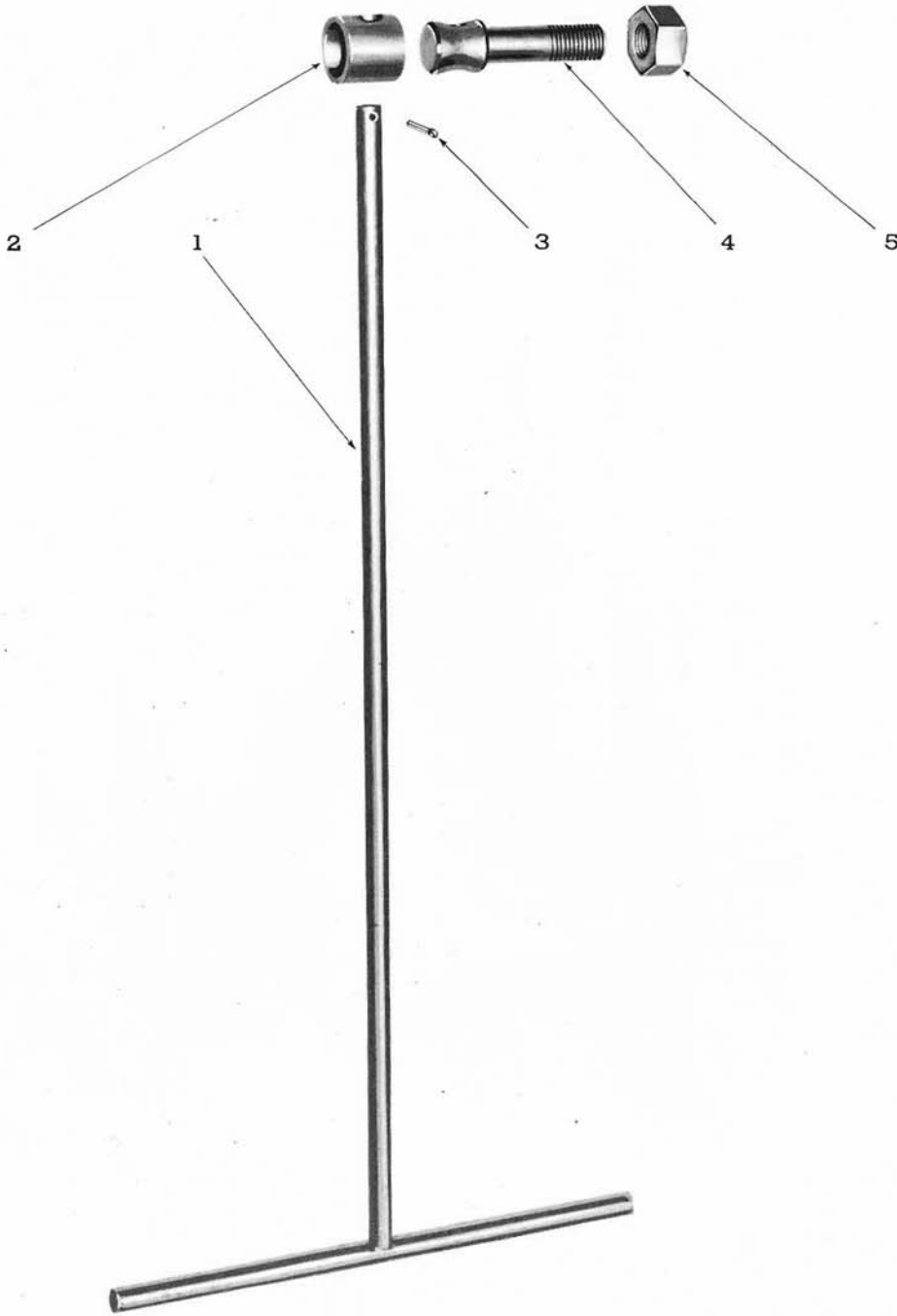


Figure 22 - Steering Pointer Assembly

FIG. 22	PART NO.	NAME AND DESCRIPTION	QTY. REQ.
Group 3-6—STEERING POINTER ASSEMBLY			
1	131203	ARM, Steering Pointer	1
2	131202	SLEEVE	1
3	72034-S7-8	COTTER PIN, 3/32" x 1"	1
4	131201	BOLT	1
5	33850-S7-8	NUT, 5/8" - 18 Hex. } Arm to Tractor Front Axle	1