



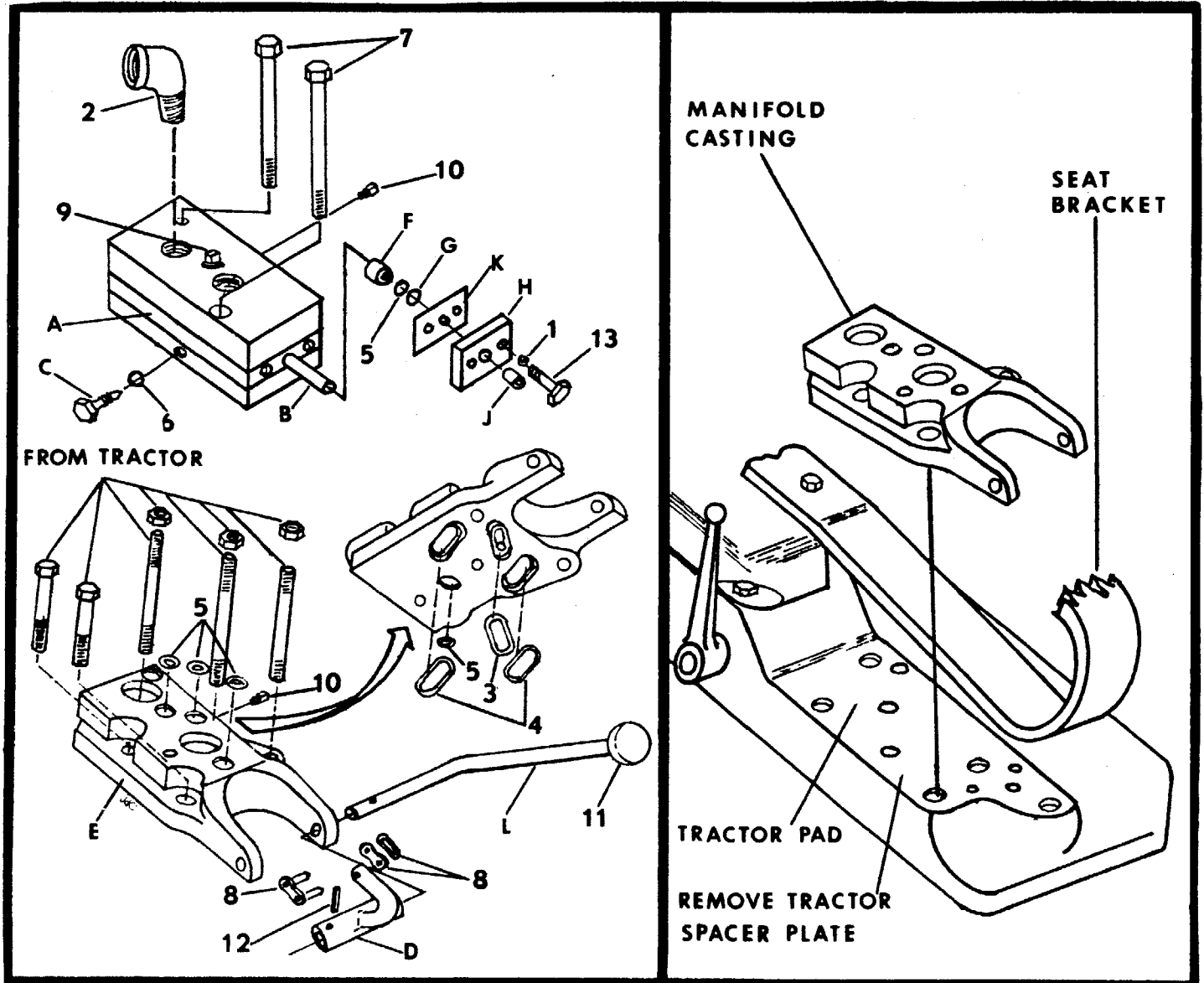
ARPS

REMOTE CONTROL VALVE

YO3

(Formerly CL-3)

FOR FORD NAA



INSTALLATION PROCEDURE

Remove the hydraulic manifold cover, being sure tractor link arms are fully depressed first. Note that under covers there are spacer plates which contain the O-rings. Remove this plate. Manifold cover does not have the spacer plate under it. Insert medium sized O-ring (3) in short groove. Insert both large O-rings (4) into the machined grooves and the one small O-ring (5) into the spot-faced hole on the underside of the manifold casting (E). Mount the manifold casting, using the five tractor cover plate bolts. Insert two small O-rings (5) into spot-faced holes on top face of casting and bolt remote control valve (A) to the casting with bolts (7).

Assemble the handle (B) as shown and drive in the roll pin (12) to retain the handle. Use connector link (8) to connect the handle to the valve rod.

When it is desired to have the hydraulically controlled implement "float" in its working position instead of being rigidly locked by hydraulic pressure, the needle valve (C) should be opened by turning it in a counter-clockwise direction, approximately three turns. This allows the implement to be raised and lowered under pressure, but upon release of the valve handle the implement is permitted to move freely in one direction and return again. Should the implement drop down after raising with needle valve open, the hoses from the valve should be reversed.

HYDRAULIC TROUBLE SHOOTING

1. CANNOT KEEP IMPLEMENT IN POSITION - Needle valve on side of remote control valve is open. Screw whut in clockwise direction.
2. CANNOT RAISE REAR MOUNTED IMPLEMENT ON TRACTOR ARMS - Remote control valve handle has not returned to "center" or neutral position.
3. REMOTE CONTROL VALVE LEAKS OIL AT VALVE ROD - The O-rings need replacing on the valve rod.
4. TRACTOR PUMP LABORS WHEN IMPLEMENT IS NOT BEING RAISED OR LOWERED - Valve handle has not returned to "center" or neutral position.
5. REMOTE CONTROL VALVE DOES NOT FUNCTION AT ALL - Check to see if the spacer plate has been removed.

PARTS LIST

1	Lockwasher, 5/16.....	8070
2	Street Elbow, 1/2 NPT x 90°.....	7921
3	O-Ring, 1" OD x 3/4 ID.....	11733
4	O-Ring, 1-1/4 OD x 1" ID.....	11739
5	O-Ring, 1/2 OD x 3/8 ID.....	11703
6	O-Ring, 7/16 OD x 5/16 ID.....	11700
7	Capscrew, 7/16 NC x 2-3/4.....	6960
8	Connector Link - #40.....	11345
9	Pipe Plug, 1/4 NPT.....	7795
10	Pipe Plug, 1/8 NPT.....	7750
11	Handle Knob.....	14055
12	Roll Pin, 5/32 x 3/4.....	8953
13	Capscrew, 5/16 NF x 1".....	6795
A	Valve Body Assembly.....	910100
B	Valve Rod.....	910103
C	Needle Valve.....	910012
D	Valve Rod Link.....	910115
E	Manifold Casting.....	910051
F	Guide Bushing.....	910031
G	Wiper Ring.....	11528
H	Rod Guide Block.....	910026
J	Guide Bushing Holder.....	910028
K	Gasket.....	910029
L	Valve Handle.....	910104



ARPS CORPORATION

A CHROMALLOY AMERICAN SUBSIDIARY

NEW HOLSTEIN, WISCONSIN 53061