

Group 6—DEARBORN REVERSIBLE BUSH AND BOG HARROWS

(Lift Type)—Models 11-34 and 11-36

FIG. 25	PART NO.	NAME AND DESCRIPTION	QTY. REQ.
Group 6-1—LIFT FRAME ASSEMBLY			
1	110961	MAIN FRAME (Welded Assembly)	1
2	110922	TOP LINK BRACKET (Welded Assembly)	1
3	20471-S7-8	BOLT, 7/16" - 20 x 1-1/2" Hex. Hd. } Top Link Bracket to Main Frame	6
4	34808-S7-8	LOCKWASHER, 7/16" }	
5	33802-S7-8	NUT, 7/16" - 20 Hex. }	
6	110928	STIRRUP and BRACE, Right (Welded Assembly)	1
7	110929	STIRRUP and BRACE, Left (Welded Assembly)	1
8	22028-S7-8	BOLT, 5/8" - 18 x 3" Hex. Hd. } Stirrup and Brace to Main Frame	2
9	21047-S7-8	BOLT, 5/8" - 18 x 1-3/4" Hex. Hd. }	
10	34721-S7-8	WASHER, 5/8" Flat }	
11	33850-S7-8	NUT, 5/8" - 18 Hex. }	
12	110937	GANG FRAME, Right (Welded Assembly)	1
13	110938	GANG FRAME, Left (Welded Assembly)	1
14	72173-S7-8	COTTER PIN, 3/8" x 3" - Gang Frame	2
15	110955	BRACE, Gang Frame (Welded Assembly)	2
16	20471-S7-8	BOLT, 7/16" - 20 x 1-1/2" Hex. Hd. } Brace to Gang Frame	4
17	34808-S7-8	LOCKWASHER, 7/16" }	
18	33802-S7-8	NUT, 7/16" - 20 Hex. }	
19	110960	ARM, Adjusting Link, Right	1
20	110957	ARM, Adjusting Link, Left	1
21	300334	PIN, 3/8" x 2" Clevis } Adjusting Link Arm to Stirrup and Brace	2
22	72071-S7-8	COTTER PIN, 1/8" x 1-1/2" }	
23	72111-S7-8	COTTER PIN, 1/4" x 2" - Adjusting Link Arm to Gang Frame	2
24	110951	SADDLE, Trunnion	2
25	110952	LOCK, Trunnion Saddle	2
26	110953	GUIDE, Long	2
27	110954	GUIDE, Short	2
28	22108-S7-8	BOLT, 5/8" x 18 x 5-1/2" Hex. Hd. } Trunnion Saddle to Main Frame	2
29	22076-S7-8	BOLT, 5/8" x 18 x 4-1/2" Hex. Hd. }	
30	34721-S7-8	WASHER, 5/8" Plain }	
31	33850-S7-8	NUT, 5/8" - 18 Hex. }	
32	103497	PIN, Link	2
--	34851-S7-8	LOCKWASHER, 5/8" } Link Pin to Main Frame	2
--	33850-S7-8	NUT, 5/8" - 18 Hex. }	

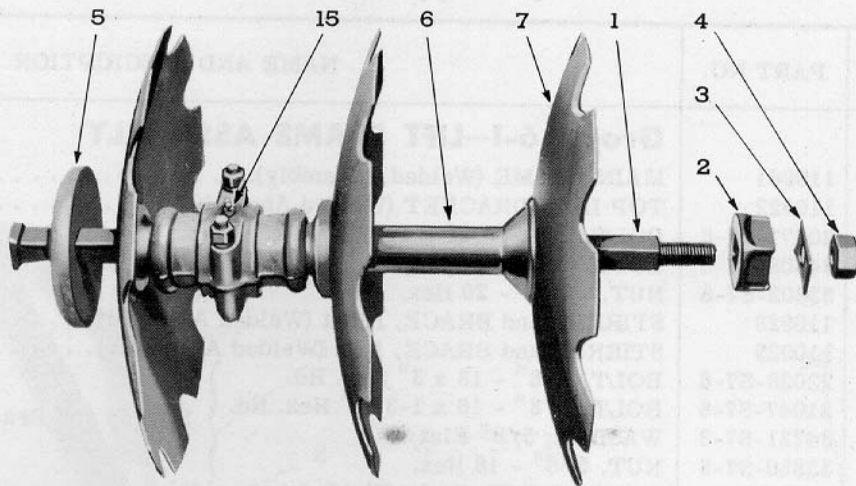
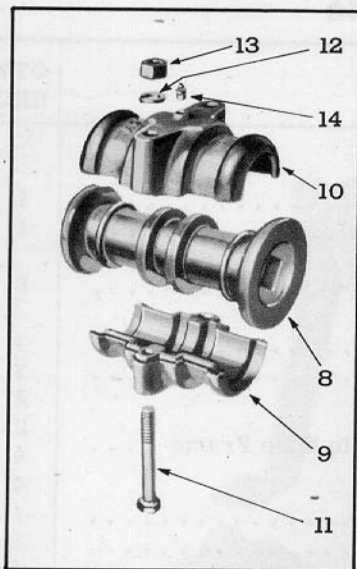


Figure 26 - Disc and Bearing Assemblies

FIG. 26	PART NO.	NAME AND DESCRIPTION	QTY. REQ.	
			11-34	11-36
Group 6-2-DISC AND BEARING ASSEMBLIES				
1	110945	BOLT, Gang	2	2
2	110947	WASHER		
3	110948	LOCK		
4	33857-S7-8	NUT, 1-1/8" Hex. } Gang Bolt	2	2
5	110946	BUMPER	2	2
6	111046	SPOOL, Spacer	2	2
7	110949	BLADE, 20" Notched	4	4
7	110950	BLADE, 22" Notched	8	
8	111044	SPOOL, Bearing	4	8
9	111043	CAP, Lower Bearing	4	4
10	111042	CAP, Upper Bearing	4	4
11	22092-S7-8	BOLT, 5/8" - 18 x 5" Hex. Hd. } Upper to Lower Bearing Cap		
12	34811-S7-8	LOCKWASHER, 5/8"	8	8
13	33850-S7-8	NUT, 5/8" - 18 Hex.		
14	300247	FITTING, Lube - Center Bearing	2	2
15	300312	FITTING, Lube - End Bearing	2	2