

DEARBORN SPRING TOOTH *Harrow*

(LIFT TYPE) MODELS 11-10 AND 11-11

Group 5—DEARBORN SPRING TOOTH HARROWS (Lift Type)—Models 11-10 and 11-11

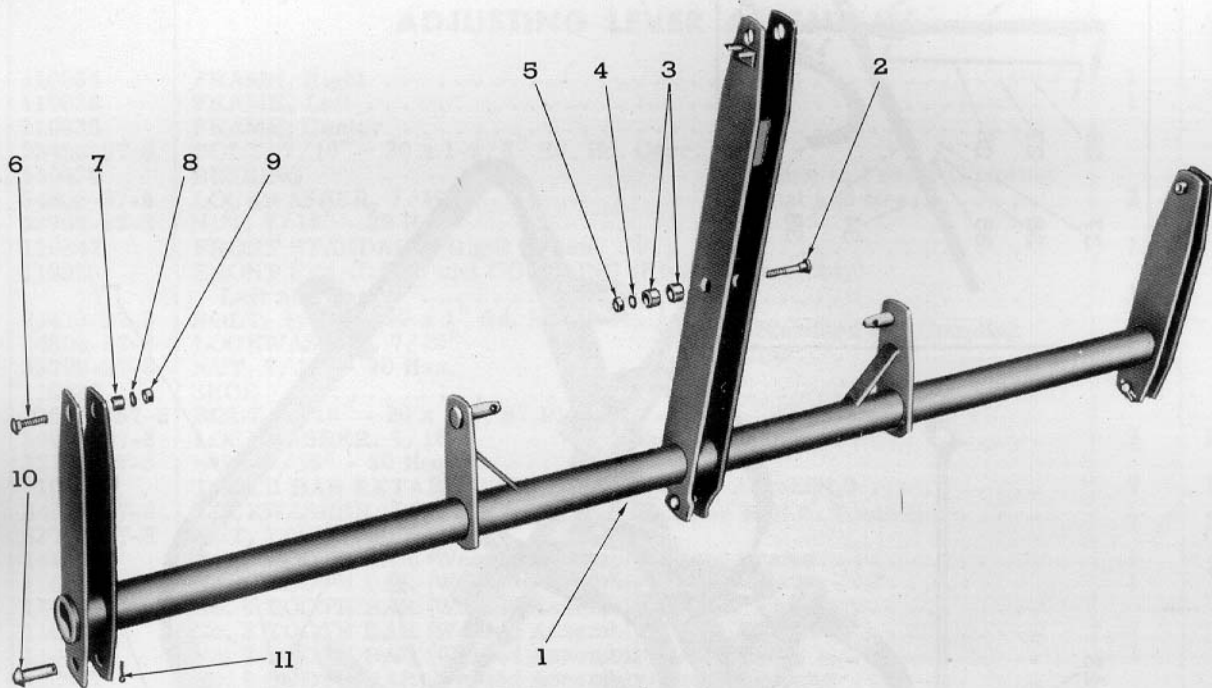


Figure 23 - Drawbar Assembly

FIG. 23	PART NO.	NAME AND DESCRIPTION	QTY. REQ.	
			11-10	11-11
		Group 5-1—DRAWBAR ASSEMBLIES		
--	110820	DRAWBAR, Two Section (Welded Assembly)	1	
1	110821	DRAWBAR, Three Section (Welded Assembly).		1
2	300111	BOLT, 7/16" - 20 x 2-7/8" Rd. Hd. Carr.		1
3	110832	SPACER		2
4	34808-S7-8	LOCKWASHER, 7/16"		1
5	33792-S7-8	NUT, 7/16" - 20 Hex.		1
6	23488-S7-8	BOLT, 7/16" - 20 x 1-5/8" Rd. Hd. Carr.		
7	110833	BUSHING		
8	34808-S7-8	LOCKWASHER, 7/16"		
9	33792-S7-8	NUT, 7/16" - 20 Hex.	2	2
10	300093	PIN, 5/8" x 1-3/4" Rd. Hd. Drilled		
11	72037-S7-8	COTTER PIN, 3/16" x 1"	2	3

DEARBORN SPRING TOOTH

Harrow

(LIFT TYPE) MODELS 11-10 AND 11-11

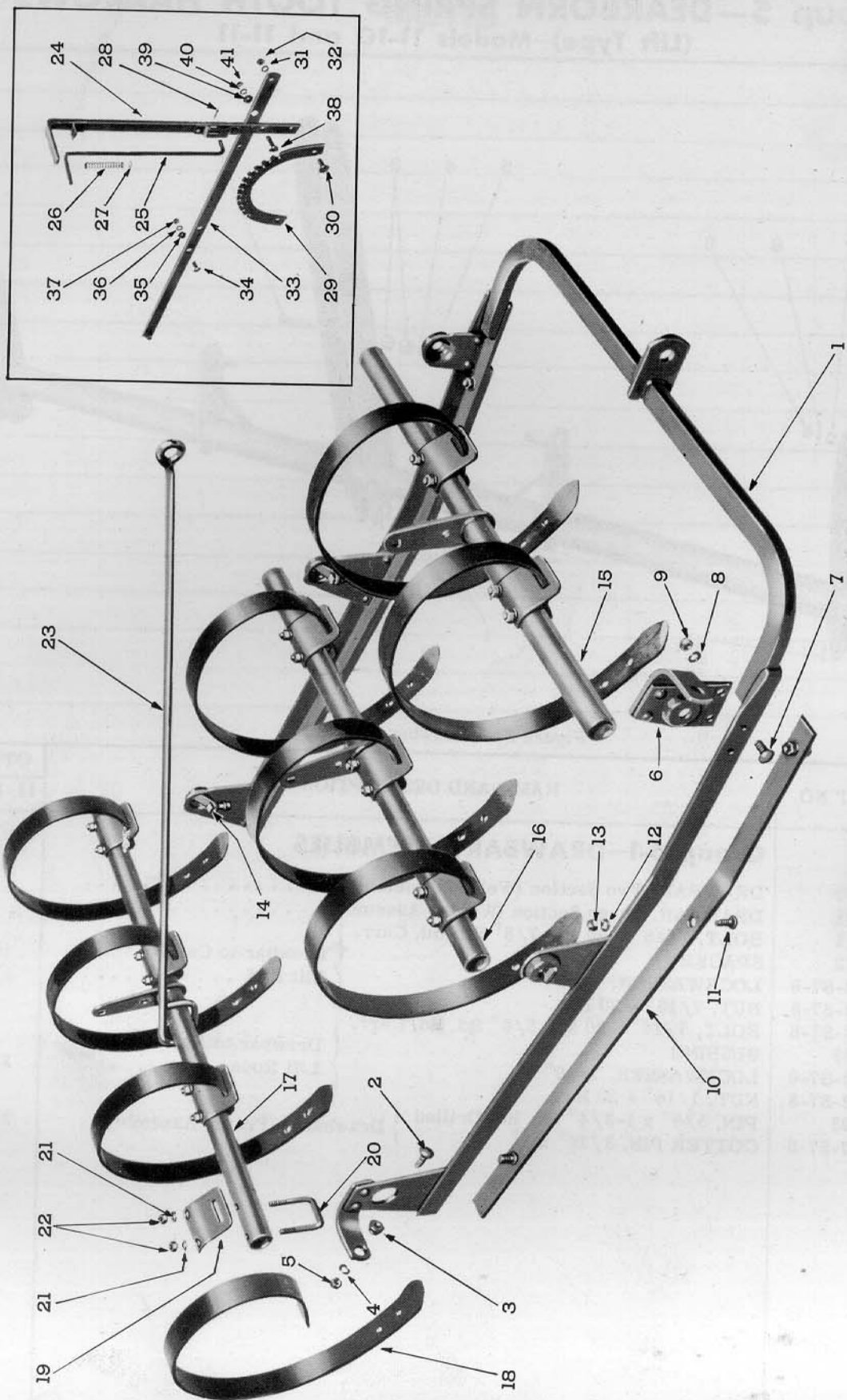


Figure 24 - Spring Tooth Frame and Adjusting Lever Assemblies

DEARBORN SPRING TOOTH *Harrow*

(LIFT TYPE) MODELS 11-10 AND 11-11

FIG. 24	PART NO.	NAME AND DESCRIPTION	QTY. REQ.	
			11-10	11-11
Group 5-2—SPRING TOOTH FRAME AND ADJUSTING LEVER ASSEMBLIES				
-	110834	FRAME, Right	1	1
1	110835	FRAME, Left	1	1
-	110836	FRAME, Center		1
2	23458-S7-8	BOLT, 7/16" - 20 x 1-3/8" Rd. Hd. Carr. }		
3	110439	BUSHING } Frame to Frame Coupling		
4	34808-S7-8	LOCKWASHER, 7/16" } Front and Rear.....	2	4
5	33792-S7-8	NUT, 7/16" - 20 Hex. }		
-	110847	FRONT STANDARD, Right Frame	1	1
6	110853	FRONT STANDARD and COUPLING (Riveted Assembly) Left and Center	1	2
7	23413-S7-8	BOLT, 7/16" - 20 x 1" Rd. Hd. Carr. }		
8	34808-S7-8	LOCKWASHER, 7/16" } Front Standard and Coupling		
9	33792-S7-8	NUT, 7/16" - 20 Hex. } to Frame.....	4	6
10	110887	SHOE	3	5
11	355613-S7-8	BOLT, 7/16" - 20 x 1-1/8" Plow }		
12	34808-S7-8	LOCKWASHER, 7/16" } Shoe to Frame	9	15
13	33792-S7-8	NUT, 7/16" - 20 Hex. }		
14	110855	TOOTH BAR RETAINER and BOLT (Welded Assembly)	7	10
14	34808-S7-8	LOCKWASHER, 7/16" } Tooth Bar Retainer Bolt to Tooth Bar	7	10
14	33792-S7-8	NUT, 7/16" - 20 Hex. }		
--	110868	No. 1 TOOTH BAR (Welded Assembly) Right Frame	1	1
15	110869	No. 1 TOOTH BAR (Welded Assembly) Left Frame	1	1
--	110879	No. 1 TOOTH BAR (Welded Assembly) Center Frame		1
--	110872	No. 2 TOOTH BAR (Welded Assembly) Right Frame	1	1
16	110873	No. 2 TOOTH BAR (Welded Assembly) Left Frame	1	1
--	110881	No. 2 TOOTH BAR (Welded Assembly) Center Frame		1
--	110875	No. 3 TOOTH BAR (Welded Assembly) Right Frame	1	1
17	110876	No. 3 TOOTH BAR (Welded Assembly) Left Frame	1	1
--	110883	No. 3 TOOTH BAR (Welded Assembly) Center Frame		1
18	110888	TOOTH, Spring	17	25
19	110889	CLIP, Spring Tooth	17	25
20	110890	U-BOLT, 7/16" Dia. }		
21	34808-S7-8	LOCKWASHER, 7/16" } Spring Tooth and Clip to Tooth Bar	34	50
22	33792-S7-8	NUT, 7/16" - 20 Hex. }	34	50
23	110891	ROD, Lift	2	3
24	110857	LEVER, Guide and Keeper (Riveted Assembly)	2	3
--	23428-S7-8	BOLT, 7/16" - 20 x 1-1/8" Rd. Hd. Carr. }		
--	34808-S7-8	LOCKWASHER, 7/16" } Lever to Tooth Bar	2	3
--	33792-S7-8	NUT, 7/16" - 20 Hex. }		
25	110866	ROD, Lever	2	3
26	110867	SPRING, Lever Rod	2	3
27	34747-S7-8	WASHER, 3/4" x 1-3/32" x .063 - Lever Rod Spring Retaining	2	3
28	72018-S7-8	COTTER PIN, 5/32" x 3/4" - Lever Rod to Lever	2	3
29	110886	RATCHET	2	3
30	23428-S7-8	BOLT, 7/16" - 20 x 1-1/8" Rd. Hd. Carr. }		
31	34808-S7-8	LOCKWASHER, 7/16" } Ratchet to Shift Bar	4	6
32	33792-S7-8	NUT, 7/16" - 20 Hex. }		
33	110885	BAR, Shift	2	3
34	23443-S7-8	BOLT, 7/16" - 20 x 1-1/4" Rd. Hd. Carr. }		
35	131364	BUSHING } Shift Bar to Tooth Bar ..	4	6
36	34808-S7-8	LOCKWASHER, 7/16" }		
37	33792-S7-8	NUT, 7/16" - 20 Hex. }		
38	23473-S7-8	BOLT, 7/16" - 20 x 1-1/2" Rd. Hd. Carr. }		
39	131364	BUSHING } Lever and Shift Bar		
40	34808-S7-8	LOCKWASHER, 7/16" } to Tooth Bar	2	3
41	33792-S7-8	NUT, 7/16" - 20 Hex. }		