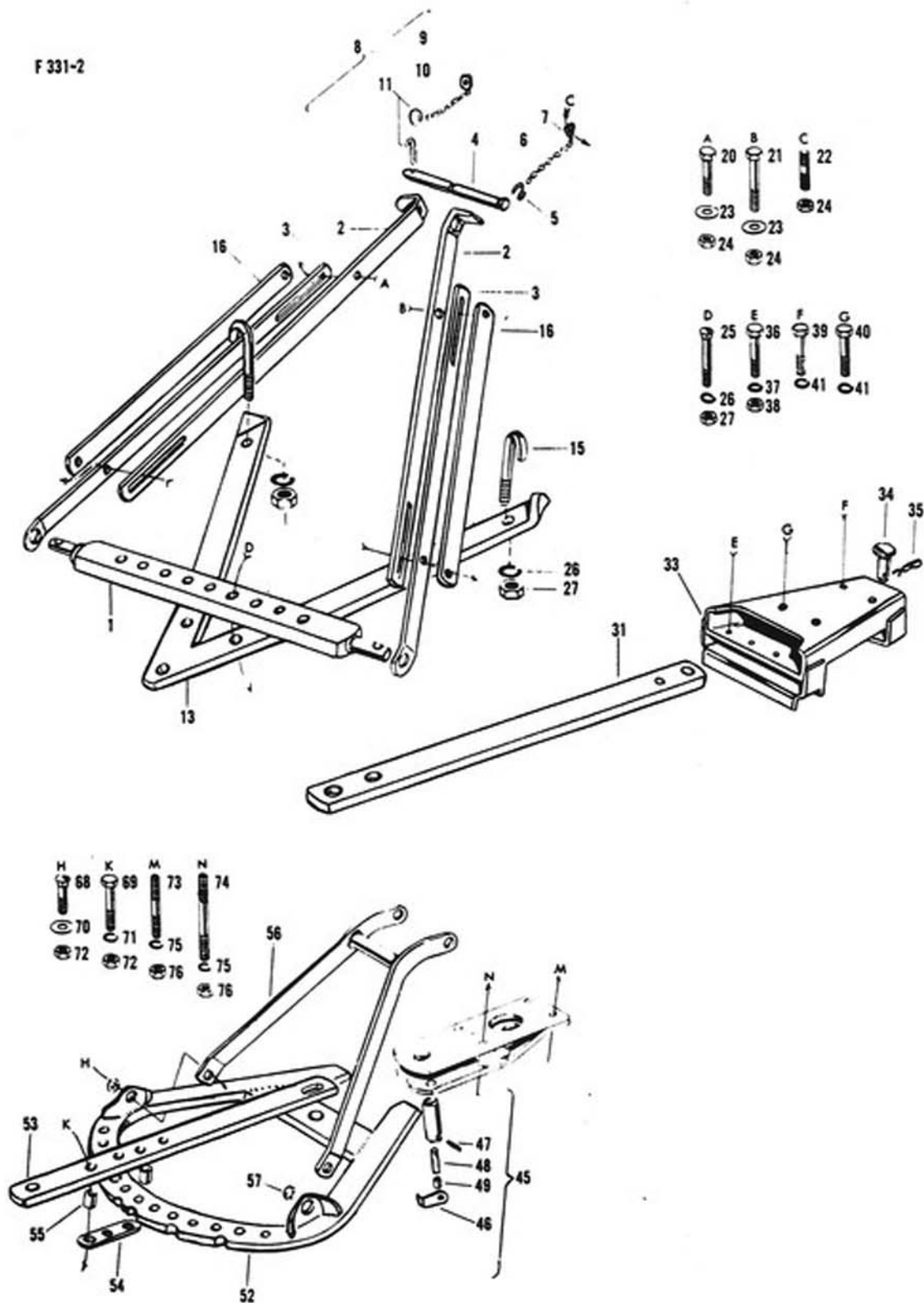


DRAWBARS AND SUPPORTS

F 331-2



DRAWBARS AND SUPPORTS

181

Ref. No.	Part No.	Description	No. Req.
1	677 240	Drawbar (Order on Whole Goods).....	1
2 (B)	181 986 M1	Stay, Drawbar, Upper (5/16" Thick, w/One Hole).....	2
2 (A)	185 397 M1	Stay, Drawbar, Upper (7/16" Thick, w/Five Holes).....	2
3 (B)	181 985 M1	Stay, Drawbar, Lower (5/16" Thick, w/One Hole).....	2
3 (A)	185 396 M1	Stay, Drawbar, Lower (7/16" Thick, w/Five Holes).....	2
4	180 901 M91	Pin Assembly, Hitch.....	1
5	195 559 M1	Eye, "S" Hook, Hitch Pin Retaining.....	1
6	195 340 M1	Chain (11 Links).....	1
7	180 913 M1	Anchor, Chain.....	1
8	180 912 M92	Retainer Assembly, Hitch Pin.....	1
9	180 913 M2	Anchor, Chain.....	1
10	195 344 M1	Chain (8 Links).....	1
11	196 280 M91	Linch Pin Assembly.....	1
13	181 846 M92	Extension Assembly, Drawbar..... <i>677 137</i>	1
15	182 811 M1	Bolt, Hook.....	2
16	183 103 M2	Brace, Stay.....	2
20	353 561 X1	Bolt (7/16 x 1-1/4" NF, Hex.).....	X
21	353 564 X1	Bolt (7/16 x 1-5/8" NF, Hex.).....	X
22	353 963 X1	Stud (7/16" NC - NF x 1-3/4").....	X
23	353 772 X1	Washer (7/16" Large Flat).....	X
24	353 426 X1	Nut (7/16" NF, Hex.).....	X
25	353 867 X1	Bolt (5/8 x 2-1/2" NF, Carr.).....	X
26	353 433 X1	Washer (5/8" Lock).....	X
27	353 427 X1	Nut (5/8" NF, Hex.).....	X

(USED EARLY MODEL TRACTORS)

181 842 M91	Extension Assembly, Drawbar.....	1
182 811 M1	Hook Bolt, Drawbar.....	2
181 841 M1	Brace Stay.....	2

SWINGING TYPES

31	184 611 M1	Drawbar..... <i>677 191</i>	1
33	184 607 M91	Support Assembly, Drawbar.....	1
34	184 630 M1	Pin, Pivot, Drawbar.....	1
35	195 708 M1	Pin, Retaining, Pivot Pin.....	1
36	353 710 X1	Bolt (7/16 x 2-1/2" NC, Hex.).....	X
37	353 432 X1	Washer (7/16" Lock).....	X
38	355 645 X1	Nut (7/16" NC, Hex.).....	X
39	354 281 X1	Bolt (5/8 x 1-3/8" NC, Hex.).....	X
40	354 282 X1	Bolt (5/8 x 1-5/8" NC, Hex.).....	X
41	353 433 X1	Washer (5/8" Lock).....	X
45	181 758 M91	Pin Assembly, Drawbar Clevis..... <i>677 012</i>	1
46		Lever, Latch (Order 181 758 M91).....	1
47	195 794 M1	Pin, Lever (5/16 x 1-1/2" Groove).....	1
48	181 759 M1	Spring, Latch.....	1
49	181 769 M1	Detent, Latch.....	1
52	181 766 M91	Guide Assembly, Drawbar..... <i>677 013</i>	1
53	181 765 M1	Drawbar, Swinging.....	1
54	181 764 M1	Plate, Drawbar Guide.....	1
55	181 763 M1	Spacer, Plate (1/2 x 3/4 x 7/8").....	2
56	181 767 M91	Strut Assembly, Guide Support.....	1
57	181 762 M1	Bushing, Strut Pivot (1/2 x 3/4 x 1/4").....	2
68	353 855 X1	Bolt (1/2 x 1-1/4" NF, Carr.).....	X
69	353 599 X1	Bolt (1/2 x 2" NF, Hex.).....	X
70	353 758 X1	Washer (1/2" Reg. Flat).....	X
71	353 439 X1	Washer (1/2" Lock).....	X
72	353 437 X1	Nut (1/2" NF, Hex.).....	X
73	181 757 M1	Stud (5/8" NC-NF x 2-9/16").....	X
74	181 756 M1	Stud (5/8" NC-NF x 3-3/4").....	X
75	353 433 X1	Washer (5/8" Lock).....	X
76	353 427 X1	Nut (5/8" NF, Hex.).....	X

Notes: (A) - Used Tractor Serial Number 182 870 and up.
 (B) - Used prior to Tractor Serial Number 182 870.

